

SWA Power Off EAS1 File: IA-FCP-004.xls Author: daniel lakey	 
--	--

**Procedure Summary**

**Objectives**

Power Off EAS1

**Summary of Constraints**

DPU must be ON in OPS mode

**Spacecraft Configuration**

**Start of Procedure**

EAS1 is ON

**End of Procedure**

EAS1 is OFF

**Reference File(s)**

**Input Command Sequences**

**Output Command Sequences**

AIAF004A

**Referenced Displays**

**ANDs**      **GRDs**      **SLDs**  
 (None)

**Configuration Control Information**

DATE	FOP ISSUE	VERSION	MODIFICATION DESCRIPTION	AUTHOR	SPR REF
30/01/2018		0.01	move as we like it	dlakey	M7
21/02/2018		1	Updates from Feb 2018	dlakey	M7
12/03/2018	0.2				M7
18/06/2018	0.3				M7
17/09/2018		1.01	Moved to PFM DB	dlakey	M7
18/03/2019	1				M7
16/08/2019	2				M7
20/01/2020	3				M7

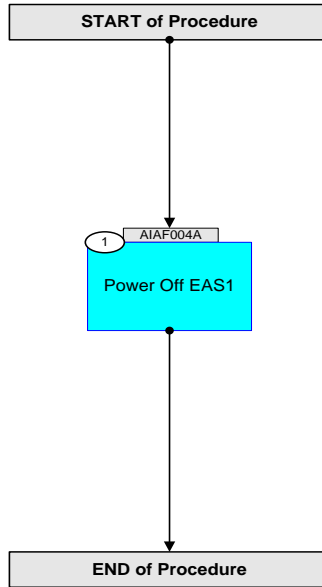
SWA Power Off EAS1  
File: IA-FCP-004.xls  
Author: daniel lakey



solar orbiter



### Procedure Flowchart Overview



SWA Power Off EAS1 File: IA-FCP-004.xls Author: daniel lakey	 
--	--

Step	Label/Time	Activity/Remarks/Branch	CK	Display
<b>Beginning of Procedure</b>				
Beginning of Sequence				
	<b>AIAF004A</b>	<b>SWA Power OFF EAS1</b> SeqFlags [ Crit/Plan/Stdalone/Sched ] : NSYN Forced Subschedule : SWA (109) TimeTag type : B		
1		<b>Power Off EAS1</b>  Next step(s): -> END		
		Disable all EAS1 FDIR		
	+00.00.00	<b>Send SWA_TC_PARS_MON_DIS</b> <b>ZIA58064 SWA_TC_PARS_MON_DIS</b> TC Control Flags: GBM IL DSE --Y NC --- Command Parameters : <b>PIA60452 NUM_OF_MON_ID = 12 &lt;dec&gt;</b> <b>PIA60449 MON_ID = EAS1SPWHB_MI &lt;hex&gt;</b> <b>PIA60449 MON_ID = E1_3V3_MI &lt;hex&gt;</b> <b>PIA60449 MON_ID = E1_1V5_MI &lt;hex&gt;</b> <b>PIA60449 MON_ID = E1OPTMPMON &lt;hex&gt;</b> <b>PIA60449 MON_ID = E1HVOUTVMON &lt;hex&gt;</b> <b>PIA60449 MON_ID = E1MCPVMON &lt;hex&gt;</b> <b>PIA60449 MON_ID = E1GRIDVMON &lt;hex&gt;</b> <b>PIA60449 MON_ID = E110VAPOSVMON &lt;hex&gt;</b>		
		<b>PIA60449 MON_ID = E128VPOSVMON &lt;hex&gt;</b> <b>PIA60449 MON_ID = E1HVGENTHERMON &lt;hex&gt;</b> <b>PIA60449 MON_ID = E1HVMODTHERMON &lt;hex&gt;</b> <b>PIA60449 MON_ID = EAS1MISSACK_MI &lt;hex&gt;</b>		
		<b>Turn off EAS1 heater</b>		
	+00.00.02	<b>Send SWA_TC_EAS1_MAN_HEATHER</b> <b>ZIA58757 SWA_TC_EAS1_MAN_HEATHER</b> TC Control Flags: GBM IL DSE --Y NC --- Command Parameters : <b>PIA60773 HT_0 = 00 &lt;hex&gt; (Def)</b> <b>PIA60774 HT_1 = 00 &lt;hex&gt; (Def)</b> <b>PIA60775 HT_2 = 00 &lt;hex&gt; (Def)</b>		
		<b>Run EAS1 power off macro</b>		

SWA Power Off EAS1 File: IA-FCP-004.xls Author: daniel lakey	 
--	--

Step	Label/Time	Activity/Remarks/Branch	CK	Display
	+00.00.05	Send SWA_TC_EAS1_PWR_OFF ZIA58761 SWA_TC_EAS1_PWR_OFF TC Control Flags: GBM IL DSE --Y NC ---		
		Disable EAS1 HK		
	+00.00.45	Send SWA_TC_HK_DS ZIA58051 SWA_TC_HK_DS TC Control Flags: GBM IL DSE --Y NC --- Command Parameters : PIA58050 TMSID = EAS1_SENS_HK		
<b>AIAF004A</b>		End of Sequence		
<b>End of Procedure</b>				