

SWA Power Off EAS2 File: IA-FCP-005.xls Author: daniel lakey	 
--	--

Procedure Summary

Objectives

Power off EAS2

Summary of Constraints

SWA DPU must be in OPS mode

Spacecraft Configuration

Start of Procedure

EAS2 is on

End of Procedure

EAS2 is off

Reference File(s)

Input Command Sequences

Output Command Sequences

AIAF005A

Referenced Displays

ANDs **GRDs** **SLDs**
 (None)

Configuration Control Information

DATE	FOP ISSUE	VERSION	MODIFICATION DESCRIPTION	AUTHOR	SPR REF
30/01/2018		0.01	move as we like it	dlakey	M7
21/02/2018		1	Updates from Feb 2018	dlakey	M7
12/03/2018	0.2				M7
18/06/2018	0.3				M7
17/09/2018		1.01	Moved to PFM DB	dlakey	M7
18/03/2019	1				M7
16/08/2019	2				M7
20/01/2020	3				M7

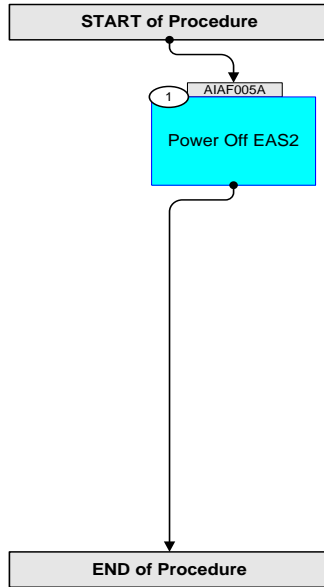
SWA Power Off EAS2
File: IA-FCP-005.xls
Author: daniel lakey



solar orbiter



Procedure Flowchart Overview



SWA Power Off EAS2 File: IA-FCP-005.xls Author: daniel lakey	 
--	--

Step	Label/Time	Activity/Remarks/Branch	CK	Display
Beginning of Procedure				
Beginning of Sequence				
	AIAF005A	SWA Power OFF EAS2 SeqFlags [Crit/Plan/Stdalone/Sched] : NSYN Forced Subschedule : SWA (109) TimeTag type : B		
1		Power Off EAS2		
		Disable all EAS2 FDIR		
	+00.00.00	Send SWA_TC_PARS_MON_DIS ZIA58064 SWA_TC_PARS_MON_DIS TC Control Flags: GBM IL DSE --Y NC --- Command Parameters : PIA60452 NUM_OF_MON_ID = 12 <dec> PIA60449 MON_ID = EAS2SPWHB_MI <hex> PIA60449 MON_ID = E2_3V3_MI <hex> PIA60449 MON_ID = E2_1V5_MI <hex> PIA60449 MON_ID = E2OPTMPMON <hex> PIA60449 MON_ID = E2HVOUTVMON <hex> PIA60449 MON_ID = E2MCPVMON <hex> PIA60449 MON_ID = E2GRIDVMON <hex> PIA60449 MON_ID = E210VAPOSVMON <hex>		
		PIA60449 MON_ID = E228VPOSVMON <hex> PIA60449 MON_ID = E2HVGENTHERMON <hex> PIA60449 MON_ID = E2HVMODTHERMON <hex> PIA60449 MON_ID = EAS2MISSACK_MI <hex>		
		Turn off EAS2 heater		
	+00.00.02	Send SWA_TC_EAS2_MAN_HEATHER ZIA58805 SWA_TC_EAS2_MAN_HEATHER TC Control Flags: GBM IL DSE --Y NC --- Command Parameters : PIA60773 HT_0 = 00 <hex> (Def) PIA60774 HT_1 = 00 <hex> (Def) PIA60775 HT_2 = 00 <hex> (Def)		
		Run EAS2 power off macro		

SWA Power Off EAS2 File: IA-FCP-005.xls Author: daniel lakey	 
--	--

Step	Label/Time	Activity/Remarks/Branch	CK	Display
	+00.00.05	Send SWA_TC_EAS2_PWR_OFF ZIA58809 SWA_TC_EAS2_PWR_OFF TC Control Flags: GBM IL DSE --Y NC ---		
		Disable EAS2 HK		
	+00.00.45	Send SWA_TC_HK_DS ZIA58051 SWA_TC_HK_DS TC Control Flags: GBM IL DSE --Y NC --- Command Parameters : PIA58050 TMSID = EAS2_SENS_HK		
AIAF005A		End of Sequence		
End of Procedure				