

SWA Power On EAS1
 File: IA-FCP-014.xls
 Author: daniel lakey




Procedure Summary

Objectives

Power on EAS1

Summary of Constraints

DPU must be in DIAG or OPS

Spacecraft Configuration

Start of Procedure

EAS1 is off

End of Procedure

EAS1 is on

Reference File(s)

Input Command Sequences

Output Command Sequences

AIAF014A

Referenced Displays

ANDs **GRDs** **SLDs**
 (None)

Configuration Control Information

DATE	FOP ISSUE	VERSION	MODIFICATION DESCRIPTION	AUTHOR	SPR REF
30/01/2018		0.01	move as we like it	dlakey	M7
21/02/2018		1	Updates from Feb 2018	dlakey	M7
12/03/2018	0.2				M7
27/04/2018		2	Updates following comments from SWA 25/04/2018	dlakey	M7
18/06/2018	0.3				M7
17/09/2018		2.01	Moved to PFM DB	dlakey	M7
18/03/2019	1				M7
16/08/2019	2				M7
20/01/2020	3				M7

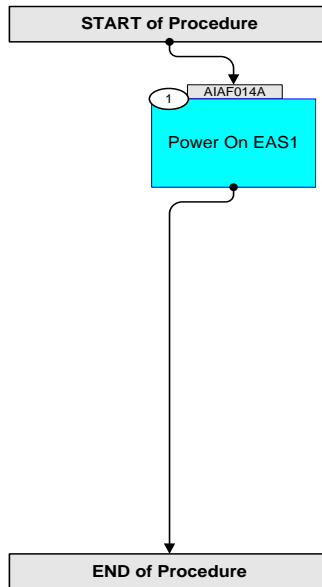
SWA Power On EAS1
File: IA-FCP-014.xls
Author: daniel lakey



solar orbiter



Procedure Flowchart Overview



SWA Power On EAS1 File: IA-FCP-014.xls Author: daniel lakey	 
---	--

Step	Label/Time	Activity/Remarks/Branch	CK	Display
Beginning of Procedure				
Beginning of Sequence				
AIAF014A		SWA Power ON EAS1 SeqFlags [Crit/Plan/Stdalone/Sched] : NSYN Forced Subschedule : SWA (109) TimeTag type : B		
1		Power On EAS1		
		Enable EAS1 HK		
	+00.00.00	Execute Telecommand ZIA58050 SWA_TC_HK_EN TC Control Flags: GBM IL DSE --Y NC --- Command Parameters : PIA58050 TMSID = EAS1_SENS_HK		
		Disable all EAS1 FDIR Monitors		
	+00.00.02	Execute Telecommand ZIA58064 SWA_TC_PARS_MON_DIS TC Control Flags: GBM IL DSE --Y NC --- Command Parameters : PIA60452 NUM_OF_MON_ID = C <hex> PIA60449 MON_ID = EAS1SPWHB_MI <hex> PIA60449 MON_ID = E1_3V3_MI <hex> PIA60449 MON_ID = E1_1V5_MI <hex> PIA60449 MON_ID = E1OPTMPMON <hex> PIA60449 MON_ID = E1HVOUTVMON <hex> PIA60449 MON_ID = E1MCPVMON <hex> PIA60449 MON_ID = E1GRIDVMON <hex> PIA60449 MON_ID = E110VAPOSVMON <hex>		
		PIA60449 MON_ID = E128VPOSVMON <hex> PIA60449 MON_ID = E1HVGENTHERMON <hex> PIA60449 MON_ID = E1HVMODTHERMON <hex> PIA60449 MON_ID = EAS1MISSACK_MI <hex>		
		Power On EAS1		

SWA Power On EAS1 File: IA-FCP-014.xls Author: daniel lakey	 
---	--

Step	Label/Time	Activity/Remarks/Branch	CK	Display
	+00.00.01	Execute Telecommand ZIA58760 SWA_TC_EAS1_PWR_ON TC Control Flags: GBM IL DSE --Y NC ---		
AIAF014A		End of Sequence		
End of Procedure				