

SWA Power On EAS2 File: IA-FCP-015.xls Author: daniel lakey	 
---	--

Procedure Summary

Objectives

Power on EAS2

Summary of Constraints

DPU must be in DIAG or OPS

Spacecraft Configuration

Start of Procedure

EAS2 is off

End of Procedure

EAS2 is on

Reference File(s)

Input Command Sequences

Output Command Sequences

AIAF015A

Referenced Displays

ANDs **GRDs** **SLDs**
 (None)

Configuration Control Information

DATE	FOP ISSUE	VERSION	MODIFICATION DESCRIPTION	AUTHOR	SPR REF
30/01/2018		0.01	move as we like it	dlakey	M7
21/02/2018		1	Updates from Feb 2018	dlakey	M7
12/03/2018	0.2				M7
27/04/2018		2	Updates following comments from SWA 25/04/2018	dlakey	M7
18/06/2018	0.3				M7
17/09/2018		2.01	Moved to PFM DB	dlakey	M7
18/03/2019		1			M7
15/04/2019		2.02	Refreshed flowchart	dlakey	M7
16/08/2019		2			M7
20/01/2020		3			M7

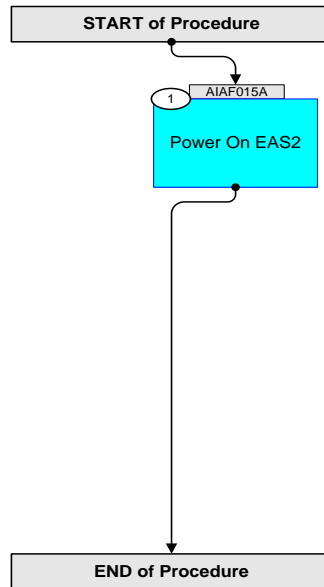
SWA Power On EAS2
File: IA-FCP-015.xls
Author: daniel lakey



solar orbiter



Procedure Flowchart Overview



SWA Power On EAS2
 File: IA-FCP-015.xls
 Author: daniel lakey




Step	Label/Time	Activity/Remarks/Branch	CK	Display
Beginning of Procedure				
Beginning of Sequence				
	AIAF015A	SWA Power ON EAS2 SeqFlags [Crit/Plan/Stdalone/Sched] : NSYN Forced Subschedule : SWA (109) TimeTag type : B		
1		Power On EAS2 <i>Next step(s):</i> -> END		
		Enable EAS2 HK		
	+00.00.00	Execute Telecommand ZIA58050 SWA_TC_HK_EN TC Control Flags: GBM IL DSE --Y NC --- Command Parameters : PIA58050 TMSID = EAS2_SENS_HK		
		Disable all EAS2 FDIR monitors		
	+00.00.02	Execute Telecommand ZIA58064 SWA_TC_PARS_MON_DIS TC Control Flags: GBM IL DSE --Y NC --- Command Parameters : PIA60452 NUM_OF_MON_ID = C <hex> PIA60449 MON_ID = EAS2SPWHB_MI <hex> PIA60449 MON_ID = E2_3V3_MI <hex> PIA60449 MON_ID = E2_1V5_MI <hex> PIA60449 MON_ID = E2OPTMPMON <hex> PIA60449 MON_ID = E2HVOUTVMON <hex> PIA60449 MON_ID = E2MCPVMON <hex> PIA60449 MON_ID = E2GRIDVMON <hex> PIA60449 MON_ID = E210VAPOSVMON <hex>		
		PIA60449 MON_ID = E228VPOSVMON <hex> PIA60449 MON_ID = E2HVGENTHERMON <hex> PIA60449 MON_ID = E2HVMODTHERMON <hex> PIA60449 MON_ID = EAS2MISSACK_MI <hex>		
		Power on EAS2		

SWA Power On EAS2 File: IA-FCP-015.xls Author: daniel lakey	 
---	--

Step	Label/Time	Activity/Remarks/Branch	CK	Display
	+00.00.01	Execute Telecommand ZIA58808 SWA_TC_EAS2_PWR_ON TC Control Flags: GBM IL DSE --Y NC ---		
AIAF015A		End of Sequence		
End of Procedure				