

SWA EAS1 Config File: IA-FCP-040.xls Author: daniel lakey	 
---	--

Procedure Summary

Objectives

SWA EAS1 Config

Summary of Constraints

n/a

Spacecraft Configuration

Start of Procedure

pre-config

End of Procedure

config

Reference File(s)

Input Command Sequences

Output Command Sequences

AIAF040A

Referenced Displays

ANDs GRDs SLDs

Configuration Control Information

DATE	FOP ISSUE	VERSION	MODIFICATION DESCRIPTION	AUTHOR	SPR REF
21/02/2018		1	Updates from Feb 2018	dlakey	M7
12/03/2018	0.2				M7
27/04/2018		2	Updates following comments from SWA 25/04/2018	dlakey	M7
18/06/2018	0.3				M7
17/09/2018		2.01	Moved to PFM DB	dlakey	M7
18/03/2019		1			M7
16/08/2019		2			M7
20/01/2020		3			M7
08/05/2020		3	SOL_FCR-310 - SWA Procedure Overhaul	dlakey	M7

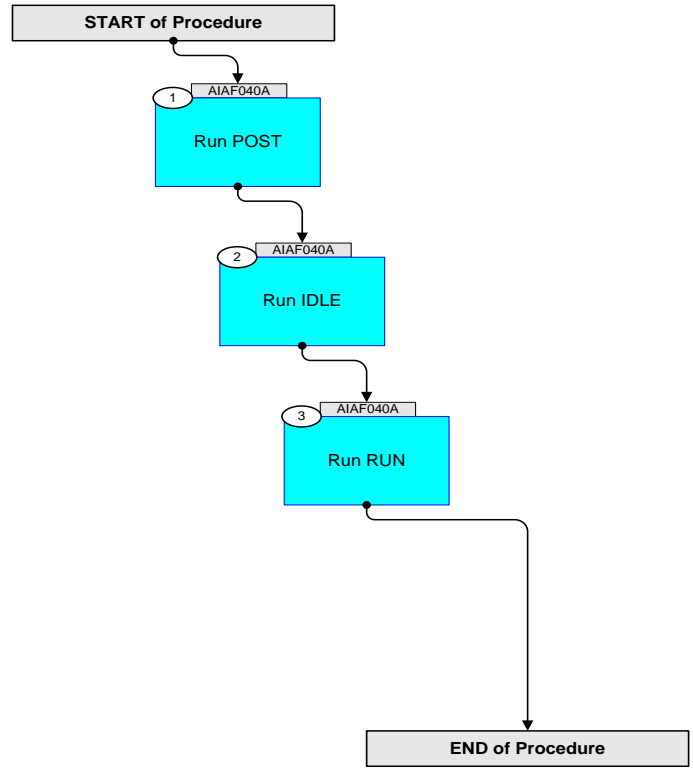
SWA EAS1 Config
File: IA-FCP-040.xls
Author: daniel lakey



solar orbiter



Procedure Flowchart Overview



SWA EAS1 Config File: IA-FCP-040.xls Author: daniel lakey	 
---	--

Step	Label/Time	Activity/Remarks/Branch	CK	Display
Beginning of Procedure				
Beginning of Sequence				
AIAF040A		SWA EAS1 Config SeqFlags [Crit/Plan/Stdalone/Sched] : NSYN Forced Subschedule : SWA (109) TimeTag type : B <u>Formal Parameter List</u> {FP} XF040A01 DefVal = 00 (HT_0) <hex> {FP} XF040A02 DefVal = 00 (HT_1) <hex> {FP} XF040A03 DefVal = E8 (HT_2) <hex> {FP} XF040A04 DefVal = 01 (AVO_0) <hex> {FP} XF040A05 DefVal = 8C (AVO_1) <hex> {FP} XF040A06 DefVal = 70 (AVO_2) <hex> {FP} XF040A07 DefVal = 01 (AVO_3) <hex> {FP} XF040A08 DefVal = F6 (AVO_4) <hex> {FP} XF040A09 DefVal = 00 (AVO_5) <hex> {FP} XF040A10 DefVal = 01 (AVO_6) <hex> {FP} XF040A11 DefVal = C9 (AVO_7) <hex> {FP} XF040A12 DefVal = D0 (AVO_8) <hex> {FP} XF040A13 DefVal = 01 (AVO_9) <hex> {FP} XF040A14 DefVal = B6 (AVO_10) <hex> {FP} XF040A15 DefVal = 00 (AVO_11) <hex> {FP} XF040A16 DefVal = DE (VR_0) <hex> {FP} XF040A17 DefVal = B8 (VR_1) <hex> {FP} XF040A18 DefVal = 51 (VR_2) <hex> {FP} XF040A19 DefVal = 67 (HV_0) <hex> {FP} XF040A20 DefVal = 18 (HV_1) <hex> {FP} XF040A21 DefVal = A0 (HV_2) <hex> {FP} XF040A22 DefVal = 4960 (CMD_DATA_TH1) <hex> {FP} XF040A23 DefVal = 4961 (CMD_DATA_TH2) <hex>		

SWA EAS1 Config File: IA-FCP-040.xls Author: daniel lakey	 
---	--

Step	Label/Time	Activity/Remarks/Branch	CK	Display
		{FP} XF040A24 DefVal = 4962 (CMD_DATA_TH3) <hex>		
		{FP} XF040A25 DefVal = 4963 (CMD_DATA_TH4) <hex>		
		{FP} XF040A26 DefVal = 4964 (CMD_DATA_TH5) <hex>		
		{FP} XF040A27 DefVal = 4965 (CMD_DATA_TH6) <hex>		
		{FP} XF040A28 DefVal = 4966 (CMD_DATA_TH7) <hex>		
		{FP} XF040A29 DefVal = 4967 (CMD_DATA_TH8) <hex>		
		{FP} XF040A30 DefVal = 4968 (CMD_DATA_TH9) <hex>		
		{FP} XF040A31 DefVal = 4969 (CMD_DATA_TH10) <hex>		
		{FP} XF040A32 DefVal = 496A (CMD_DATA_TH11) <hex>		
		{FP} XF040A33 DefVal = 496B (CMD_DATA_TH12) <hex>		
		{FP} XF040A34 DefVal = 496C (CMD_DATA_TH13) <hex>		
		{FP} XF040A35 DefVal = 496D (CMD_DATA_TH14) <hex>		
		{FP} XF040A36 DefVal = 496E (CMD_DATA_TH15) <hex>		
		{FP} XF040A37 DefVal = 496F (CMD_DATA_TH16) <hex>		
		{FP} XF040A38 DefVal = 4960 (CMD_DATA_TH17) <hex>		

SWA EAS1 Config File: IA-FCP-040.xls Author: daniel lakey	 
---	--

Step	Label/Time	Activity/Remarks/Branch	CK	Display
		{FP} XF040A39 DefVal = 4961 (CMD_DATA_TH18) <hex> {FP} XF040A40 DefVal = 4962 (CMD_DATA_TH19) <hex> {FP} XF040A41 DefVal = 4963 (CMD_DATA_TH20) <hex> {FP} XF040A42 DefVal = 4964 (CMD_DATA_TH21) <hex> {FP} XF040A43 DefVal = 4965 (CMD_DATA_TH22) <hex> {FP} XF040A44 DefVal = 4966 (CMD_DATA_TH23) <hex> {FP} XF040A45 DefVal = 4967 (CMD_DATA_TH24) <hex> {FP} XF040A46 DefVal = 4968 (CMD_DATA_TH25) <hex> {FP} XF040A47 DefVal = 4969 (CMD_DATA_TH26) <hex> {FP} XF040A48 DefVal = 496A (CMD_DATA_TH27) <hex> {FP} XF040A49 DefVal = 496B (CMD_DATA_TH28) <hex> {FP} XF040A50 DefVal = 496C (CMD_DATA_TH29) <hex> {FP} XF040A51 DefVal = 496D (CMD_DATA_TH30) <hex> {FP} XF040A52 DefVal = 496E (CMD_DATA_TH31) <hex> {FP} XF040A53 DefVal = 496F (CMD_DATA_TH32) <hex>		
		{FP} XF040A54 DefVal = A94 (NEW_VAL) <hex> {FP} XF040A55 DefVal = 1003 (PAR_ID) <hex> {FP} XF040A56 DefVal = DE (PAR_DESC) <hex> {FP} XF040A57 DefVal = B8 (PAR_DESC) <hex> {FP} XF040A58 DefVal = 51 (PAR_DESC) <hex> {FP} XF040A59 DefVal = 67 (PAR_DESC) <hex> {FP} XF040A60 DefVal = 18 (PAR_DESC) <hex> {FP} XF040A61 DefVal = A0 (PAR_DESC) <hex>		
1		Run POST Next step(s): -> 2		
		Run the EAS1 POST transition macro		
	+00.00.00	Send SWA_TC_EAS1_START_SERVICE_MACRO ZIA58934 SWA_TC_EAS1_START_SERVICE_MACRO TC Control Flags: GBM IL DSE --Y NC --- Command Parameters : PIA60739 EAS1_MACRO_ID = POST		

SWA EAS1 Config File: IA-FCP-040.xls Author: daniel lakey	 
---	--

Step	Label/Time	Activity/Remarks/Branch	CK	Display
2		<p style="text-align: center;">Run IDLE</p> <p><i>Next step(s):</i> -> 3</p>		
		Run the EAS1 IDLE transition macro		
	+00.00.05	Send SWA_TC_EAS1_IDLE_MODE ZIA58753 SWA_TC_EAS1_IDLE_MODE TC Control Flags: GBM IL DSE --Y NC ---		
		Request an HK packet (acquire a copy for the log)		
	+00.00.30	Send SWA_TC_EAS1_HK_DATA_REQ ZIA58782 SWA_TC_EAS1_HK_DATA_REQ TC Control Flags: GBM IL DSE --Y NC ---		
3		<p style="text-align: center;">Run RUN</p> <p><i>Next step(s):</i> -> END</p>		
		Run the EAS1 RUN transition macro		
	+00.00.02	Send SWA_TC_EAS1_RUN_MODE ZIA58758 SWA_TC_EAS1_RUN_MODE TC Control Flags: GBM IL DSE --Y NC ---		
		Turn on EAS1 heater		
		Set the EAS1 master control register to Manual Heater Control		

SWA EAS1 Config File: IA-FCP-040.xls Author: daniel lakey		
---	--	---

Step	Label/Time	Activity/Remarks/Branch	CK	Display
	+00.00.30	Send SWA_TC_EAS1_MASTER_REG_WRITE ZIA58776 SWA_TC_EAS1_MASTER_REG_WRITE TC Control Flags: GBM IL DSE --Y NC --- Command Parameters : PIA60423 BYTE_0 = 00 <hex> PIA60424 BYTE_1 = 40 <hex> PIA60425 BYTE_2 = 60 <hex>		
		Set the EAS1 Manual Heater		
	+00.00.02	Send SWA_TC_EAS1_MAN_HEATHER ZIA58757 SWA_TC_EAS1_MAN_HEATHER TC Control Flags: GBM IL DSE --Y NC --- Command Parameters : PIA60773 HT_0 = XF040A01 PIA60774 HT_1 = XF040A02 PIA60775 HT_2 = XF040A03		
		Set the voltage offsets		
	+00.00.02	Send SWA_TC_EAS1_SET_ANAL_VOLT_OFFSET ZIA58769 SWA_TC_EAS1_SET_ANAL_VOLT_OFFSET TC Control Flags: GBM IL DSE --Y NC --- Command Parameters : PIA60411 AVO_0 = XF040A04 PIA60412 AVO_1 = XF040A05 PIA60415 AVO_2 = XF040A06 PIA60416 AVO_3 = XF040A07 PIA60417 AVO_4 = XF040A08 PIA60418 AVO_5 = XF040A09 PIA60419 AVO_6 = XF040A10 PIA60420 AVO_7 = XF040A11 PIA60421 AVO_8 = XF040A12		
		PIA60422 AVO_9 = XF040A13 PIA60413 AVO_10 = XF040A14 PIA60414 AVO_11 = XF040A15		
		Set the hemisphere ratio		

SWA EAS1 Config File: IA-FCP-040.xls Author: daniel lakey		
---	--	---

Step	Label/Time	Activity/Remarks/Branch	CK	Display
	+00.00.02	Send SWA_TC_EAS1_SET_HEM_VOLT_RATIO ZIA58766 SWA_TC_EAS1_SET_HEM_VOLT_RATIO TC Control Flags: GBM IL DSE --Y NC --- Command Parameters : PIA60469 VR_0 = XF040A16 PIA60470 VR_1 = XF040A17 PIA60471 VR_2 = XF040A18		
		Set the hemisphere voltage		
	+00.00.02	Send SWA_TC_EAS1_SET_HEM_HIGH_VOLT ZIA58767 SWA_TC_EAS1_SET_HEM_HIGH_VOLT TC Control Flags: GBM IL DSE --Y NC --- Command Parameters : PIA60441 HV_0 = XF040A19 PIA60442 HV_1 = XF040A20 PIA60443 HV_2 = XF040A21		
		Rebuild the hemisphere table		
	+00.00.02	Send SWA_TC_EAS1_MAIL_WR ZIA58771 SWA_TC_EAS1_MAIL_WR TC Control Flags: GBM IL DSE --Y NC --- Command Parameters : PIA60031 MAILBOX_ID = MBOX3 PIA60446 MBV0 = 0 <hex> PIA60447 MBV1 = 0 <hex> PIA60448 MBV2 = 1 <hex>		
		Set the thresholds		
	+00.00.02	Send SWA_TC_EAS1_SET_PREAMP_DATA ZIA58797 SWA_TC_EAS1_SET_PREAMP_DATA TC Control Flags: GBM IL DSE --Y NC --- Command Parameters : PIA60174 CMD_DATA_TH1 = XF040A22 PIA60185 CMD_DATA_TH2 = XF040A23 PIA60196 CMD_DATA_TH3 = XF040A24 PIA60200 CMD_DATA_TH4 = XF040A25 PIA60201 CMD_DATA_TH5 = XF040A26 PIA60202 CMD_DATA_TH6 = XF040A27 PIA60203 CMD_DATA_TH7 = XF040A28 PIA60204 CMD_DATA_TH8 = XF040A29 PIA60205 CMD_DATA_TH9 = XF040A30		

SWA EAS1 Config File: IA-FCP-040.xls Author: daniel lakey	 
---	--

Step	Label/Time	Activity/Remarks/Branch	CK	Display
		PIA60175 CMD_DATA_TH10 = XF040A31 PIA60176 CMD_DATA_TH11 = XF040A32 PIA60177 CMD_DATA_TH12 = XF040A33 PIA60178 CMD_DATA_TH13 = XF040A34 PIA60179 CMD_DATA_TH14 = XF040A35 PIA60180 CMD_DATA_TH15 = XF040A36 PIA60181 CMD_DATA_TH16 = XF040A37 PIA60182 CMD_DATA_TH17 = XF040A38 PIA60183 CMD_DATA_TH18 = XF040A39 PIA60184 CMD_DATA_TH19 = XF040A40 PIA60186 CMD_DATA_TH20 = XF040A41 PIA60187 CMD_DATA_TH21 = XF040A42 PIA60188 CMD_DATA_TH22 = XF040A43 PIA60189 CMD_DATA_TH23 = XF040A44 PIA60190 CMD_DATA_TH24 = XF040A45		
		PIA60191 CMD_DATA_TH25 = XF040A46 PIA60192 CMD_DATA_TH26 = XF040A47 PIA60193 CMD_DATA_TH27 = XF040A48 PIA60194 CMD_DATA_TH28 = XF040A49 PIA60195 CMD_DATA_TH29 = XF040A50 PIA60197 CMD_DATA_TH30 = XF040A51 PIA60198 CMD_DATA_TH31 = XF040A52 PIA60199 CMD_DATA_TH32 = XF040A53		
		Set the MCP level		
	+00.00.10	Send SWA_TC_EAS1_SET_MCP_HV ZIA58784 SWA_TC_EAS1_SET_MCP_HV TC Control Flags: GBM IL DSE --Y NC --- Command Parameters : PIA60218 NEW_VAL = XF040A54		
		Update the RAM		
	+00.00.30	Execute Telecommand ZIA58706 SWA_TC_DPU_MODIFY_CONF_PARS TC Control Flags: GBM IL DSE --Y NC --- Command Parameters : PIA60133 NUM_OF_PARS = 1 <hex> PIA60136 PAR_ID = XF040A55 PIA60135 PAR_DESC_SIZE = 6 <hex> PIA60134 PAR_DESC = XF040A56 PIA60134 PAR_DESC = XF040A57 PIA60134 PAR_DESC = XF040A58 PIA60134 PAR_DESC = XF040A59 PIA60134 PAR_DESC = XF040A60 PIA60134 PAR_DESC = XF040A61		

SWA EAS1 Config File: IA-FCP-040.xls Author: daniel lakey	 
---	--

Step	Label/Time	Activity/Remarks/Branch	CK	Display
		Accept the update		
	+00.00.02	Send SWA_TC_DPU_ACCEPT_CONF_PARS ZIA58708 SWA_TC_DPU_ACCEPT_CONF_PARS TC Control Flags: GBM IL DSE --Y NC ---		
AIAF040A		End of Sequence		
End of Procedure				