

SWA Set PAS CEM HVs
File: IA-FCP-064.xls
Author: daniel lakey



Procedure Summary

Objectives

Set CEM HVs

Summary of Constraints

n/a

Spacecraft Configuration

Start of Procedure

End of Procedure

Reference File(s)

Input Command Sequences

Output Command Sequences
AIAF064A

Referenced Displays

ANDs GRDs SLDs

Configuration Control Information

DATE	FOP ISSUE	VERSION	MODIFICATION DESCRIPTION	AUTHOR	SPR REF
17/10/2018		1	Updated TC Sequences	dlakey	M7
18/03/2019		1			M7
16/08/2019		2			M7
20/01/2020		3			M7

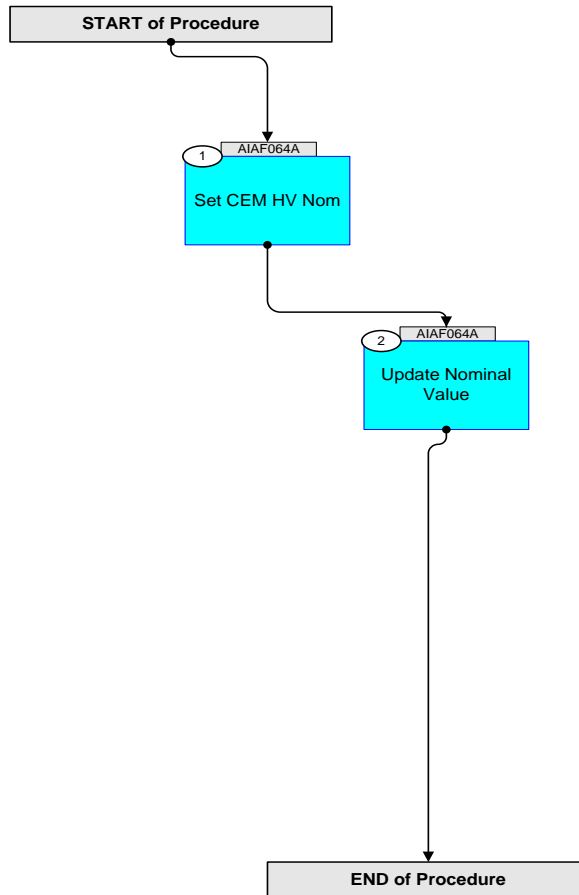
SWA Set PAS CEM HVs
File: IA-FCP-064.xls
Author: daniel lakey



solar orbiter



Procedure Flowchart Overview



SWA Set PAS CEM HVs File: IA-FCP-064.xls Author: daniel lakey	 
---	--

Step	Label/Time	Activity/Remarks/Branch	CK	Display
Beginning of Procedure				
Beginning of Sequence				
	AIAF064A	SWA PAS Set CEM HVs SeqFlags [Crit/Plan/Stdalone/Sched] : NSYN Forced Subschedule : SWA (109) TimeTag type : B <u>Formal Parameter List</u> {FP} XF464A01 DefVal = 0 (HV_VAL) <hex> {FP} XF464A02 DefVal = 6 (PAR_DESC) <hex> {FP} XF464A03 DefVal = b7 (PAR_DESC) <hex>		
1		Set CEM HV Nom <i>Next step(s):</i> -> 2		
		Set CEMs HV to the new nominal value		
	+00.00.00	Send SWA_TC_PAS_SET_HV_CEM ZIA58868 SWA_TC_PAS_SET_HV_CEM TC Control Flags: GBM IL DSE --Y NC --- Command Parameters : PIA60344 HV_VAL = XF464A01		
2		Update Nominal Value <i>Next step(s):</i> -> END		
		Update the Nominal CEM value		
		Report 0x3004 register		
	+00.00.10	Execute Telecommand ZIA58707 SWA_TC_DPU_REPORT_CONF_PARS TC Control Flags: GBM IL DSE --Y NC --- Command Parameters : PIA60137 NUM_OF_PARAMS = 1 <hex> PIA60138 PAR_ID = 3004 <hex>		
		Modify 0x3004 register		

SWA Set PAS CEM HVs File: IA-FCP-064.xls Author: daniel lakey	 
---	--

Step	Label/Time	Activity/Remarks/Branch	CK	Display
	+00.00.01	Execute Telecommand ZIA58706 SWA_TC_DPU_MODIFY_CONF_PARS TC Control Flags: GBM IL DSE --Y NC --- Command Parameters : PIA60133 NUM_OF_PARS = 1 <hex> PIA60136 PAR_ID = 3004 <hex> PIA60135 PAR_DESC_SIZE = 4 <hex> PIA60134 PAR_DESC = XF464A02 PIA60134 PAR_DESC = XF464A03 PIA60134 PAR_DESC = 0 <hex> PIA60134 PAR_DESC = 29 <hex>		
		Accept change		
	+00.00.01	Send SWA_TC_DPU_ACCEPT_CONF_PARS ZIA58708 SWA_TC_DPU_ACCEPT_CONF_PARS TC Control Flags: GBM IL DSE --Y NC ---		
		Report 0x3004 register		
	+00.00.01	Execute Telecommand ZIA58707 SWA_TC_DPU_REPORT_CONF_PARS TC Control Flags: GBM IL DSE --Y NC --- Command Parameters : PIA60137 NUM_OF_PARAMS = 1 <hex> PIA60138 PAR_ID = 3004 <hex>		
AIAF064A		End of Sequence		
End of Procedure				