

SWA HIS LV Engineering Mode File: IA-FCP-073.xls Author: daniel lakey	 
---	--

Procedure Summary

Objectives

SWA HIS LV Engineering Mode

Summary of Constraints

n/a

Spacecraft Configuration

Start of Procedure

Type Pre-condition Here

End of Procedure

Type Post-condition Here

Reference File(s)

Input Command Sequences

Output Command Sequences

AIAF073A

Referenced Displays

ANDs GRDs SLDs

Configuration Control Information

DATE	FOP ISSUE	VERSION	MODIFICATION DESCRIPTION	AUTHOR	SPR REF
22/02/2018		0.01	SWA Feb inputs, part 2	dlakey	M7
12/03/2018	0.2				M7
27/04/2018		1	Updates following comments from SWA 25/04/2018	dlakey	M7
18/06/2018	0.3				M7
17/09/2018		1.01	Moved to PFM DB	dlakey	M7
18/03/2019		1			M7
15/04/2019		1.02	Refreshed flowchart	dlakey	M7
16/08/2019		2			M7
20/01/2020		3			M7

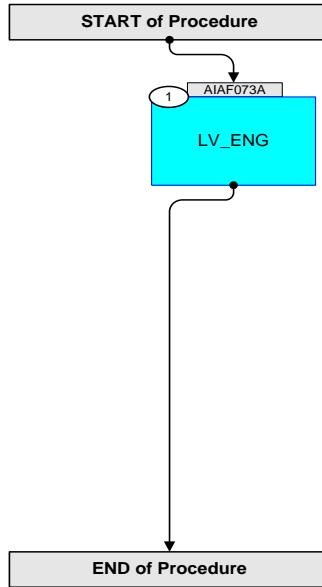
SWA HIS LV Engineering Mode
File: IA-FCP-073.xls
Author: daniel lakey



solar orbiter



Procedure Flowchart Overview



SWA HIS LV Engineering Mode File: IA-FCP-073.xls Author: daniel lakey	 
---	--

Step	Label/Time	Activity/Remarks/Branch	CK	Display
Beginning of Procedure				
Beginning of Sequence				
AIAF073A		SWA HIS LV ENG SeqFlags [Crit/Plan/Stdalone/Sched] : NSYN TimeTag type : B		
1		LV_ENG <i>Next step(s):</i> -> END		
		HIS to LV_ENG mode		
	+00.00.00	Execute Telecommand ZIA58917 SWA_TC_HIS_MODE TC Control Flags: GBM IL DSE --Y NC --- Command Parameters : PIA59011 MODE = LVENG		
End of Sequence				
AIAF073A				
End of Procedure				