

SWA Safe EAS MCPs
File: IA-FCP-107_in.xls
Author: daniel lakey



solar orbiter



Procedure Summary

Objectives

Make EAS safe by lowering MCPs to zero and turning off pre-amps

Summary of Constraints

n/a

Spacecraft Configuration

Start of Procedure

EAS on, science not being produced

End of Procedure

EAS on, science not being produced, MCPs at level zero

Reference File(s)

Input Command Sequences

Output Command Sequences

ATAF107A

Referenced Displays

ANDs GRDs SLDs

Configuration Control Information

DATE	FOP ISSUE	VERSION	MODIFICATION DESCRIPTION	AUTHOR	SPR REF
14/01/2020		1	SOL_FCR-60 : Update SWA procedures for CSW 3.0.3 & latest FSW	dlakey	M7
20/01/2020		3			M7

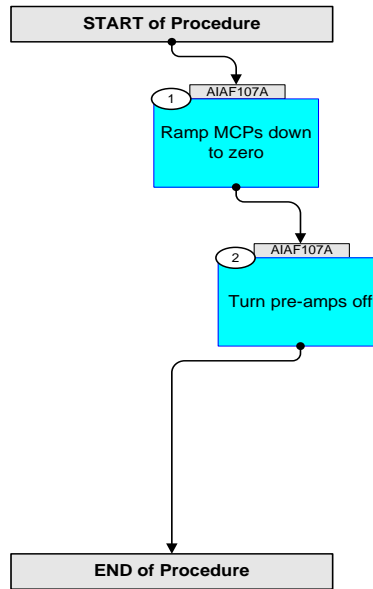
SWA Safe EAS MCPs
File: IA-FCP-107_in.xls
Author: daniel lakey



solar orbiter



Procedure Flowchart Overview



SWA Safe EAS MCPs File: IA-FCP-107_in.xls Author: daniel lakey		
--	--	---

Step	Label/Time	Activity/Remarks/Branch	CK	Display
Beginning of Procedure				
Beginning of Sequence				
AIAF107A		SWA Safe EAS MCPs SeqFlags [Crit/Plan/Stdalone/Sched] : NSYN Forced Subschedule : SWA (109) TimeTag type : B <u>Formal Parameter List</u> {FP} XF107A01 DefVal = 0 (NEW_VAL) <hex> {FP} XF107A02 DefVal = 0 (NEW_VAL) <hex> {FP} XF107A03 DefVal = 0 (NEW_VAL) <hex> {FP} XF107A04 DefVal = 0 (NEW_VAL) <hex>		
1		Ramp MCPs down to zero <i>Next step(s):</i> -> 2		
		Ramp MCPs down to zero		
		Ramp down EAS1 MCP		
	+00.00.00	Send SWA_TC_EAS1_SET_MCP_HV ZIA58784 SWA_TC_EAS1_SET_MCP_HV TC Control Flags: GBM IL DSE --Y NC --- Command Parameters : PIA60218 NEW_VAL = XF107A01		
	+00.00.01	Send SWA_TC_EAS1_SET_MCP_HV ZIA58784 SWA_TC_EAS1_SET_MCP_HV TC Control Flags: GBM IL DSE --Y NC --- Command Parameters : PIA60218 NEW_VAL = XF107A02		
		Ramp down EAS2 MCP		
	+00.00.02	Send SWA_TC_EAS2_SET_MCP_HV ZIA58832 SWA_TC_EAS2_SET_MCP_HV TC Control Flags: GBM IL DSE --Y NC --- Command Parameters : PIA60218 NEW_VAL = XF107A03		

SWA Safe EAS MCPs File: IA-FCP-107_in.xls Author: daniel lakey		
--	--	---

Step	Label/Time	Activity/Remarks/Branch	CK	Display
	+00.00.01	Send SWA_TC_EAS2_SET_MCP_HV ZIA58832 SWA_TC_EAS2_SET_MCP_HV TC Control Flags: GBM IL DSE --Y NC --- Command Parameters : PIA60218 NEW_VAL = XF107A04		
2		Turn pre-amps off Next step(s): -> END		
		Turn pre-amps off		
		Turn EAS1 pre-amps off		
	+00.00.02	Send SWA_TC_EAS1_PRE_AMP_WRITE ZIA58777 SWA_TC_EAS1_PRE_AMP_WRITE TC Control Flags: GBM IL DSE --Y NC --- Command Parameters : PIA58066 PRE_AMP1 = OFF PIA58067 PRE_AMP2 = ON (Def)		
	+00.00.01	Send SWA_TC_EAS1_PRE_AMP_WRITE ZIA58777 SWA_TC_EAS1_PRE_AMP_WRITE TC Control Flags: GBM IL DSE --Y NC --- Command Parameters : PIA58066 PRE_AMP1 = OFF PIA58067 PRE_AMP2 = ON (Def)		
	+00.00.01	Send SWA_TC_EAS1_PRE_AMP_WRITE ZIA58777 SWA_TC_EAS1_PRE_AMP_WRITE TC Control Flags: GBM IL DSE --Y NC --- Command Parameters : PIA58066 PRE_AMP1 = OFF PIA58067 PRE_AMP2 = OFF		

SWA Safe EAS MCPs File: IA-FCP-107_in.xls Author: daniel lakey		
--	--	---

Step	Label/Time	Activity/Remarks/Branch	CK	Display
	+00.00.01	Send SWA_TC_EAS1_PRE_AMP_WRITE ZIA58777 SWA_TC_EAS1_PRE_AMP_WRITE TC Control Flags: GBM IL DSE --Y NC --- Command Parameters : PIA58066 PRE_AMP1 = OFF PIA58067 PRE_AMP2 = OFF		
		Turn EAS2 pre-amps off		
	+00.00.02	Send SWA_TC_EAS2_PRE_AMP_WRITE ZIA58825 SWA_TC_EAS2_PRE_AMP_WRITE TC Control Flags: GBM IL DSE --Y NC --- Command Parameters : PIA58066 PRE_AMP1 = OFF PIA58067 PRE_AMP2 = ON (Def)		
	+00.00.01	Send SWA_TC_EAS2_PRE_AMP_WRITE ZIA58825 SWA_TC_EAS2_PRE_AMP_WRITE TC Control Flags: GBM IL DSE --Y NC --- Command Parameters : PIA58066 PRE_AMP1 = OFF PIA58067 PRE_AMP2 = ON (Def)		
	+00.00.01	Send SWA_TC_EAS2_PRE_AMP_WRITE ZIA58825 SWA_TC_EAS2_PRE_AMP_WRITE TC Control Flags: GBM IL DSE --Y NC --- Command Parameters : PIA58066 PRE_AMP1 = OFF PIA58067 PRE_AMP2 = OFF		
	+00.00.01	Send SWA_TC_EAS2_PRE_AMP_WRITE ZIA58825 SWA_TC_EAS2_PRE_AMP_WRITE TC Control Flags: GBM IL DSE --Y NC --- Command Parameters : PIA58066 PRE_AMP1 = OFF PIA58067 PRE_AMP2 = OFF		
AIAF107A		End of Sequence		
End of Procedure				