

SWA EAS set grid voltages
File: IA-FCP-120.xls
Author: n/a



Procedure Summary

Objectives

Set EAS Grid Voltages

Summary of Constraints

n/a

Spacecraft Configuration

Start of Procedure

End of Procedure

Reference File(s)

Input Command Sequences

Output Command Sequences
AIAF120A

Referenced Displays

ANDs GRDs SLDs

Configuration Control Information

DATE	FOP ISSUE	VERSION	MODIFICATION DESCRIPTION	AUTHOR	SPR REF
------	-----------	---------	--------------------------	--------	---------

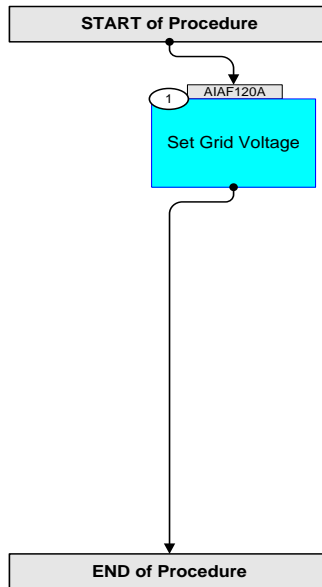
SWA EAS set grid voltages
File: IA-FCP-120.xls
Author: n/a



solar orbiter



Procedure Flowchart Overview



SWA EAS set grid voltages File: IA-FCP-120.xls Author: n/a	 
--	--

Step	Label/Time	Activity/Remarks/Branch	CK	Display
Beginning of Procedure				
Beginning of Sequence				
AIAF120A		SWA EAS SetGridVolts SeqFlags [Crit/Plan/Stdalone/Sched] : NSYN Forced Subschedule : SWA (109) TimeTag type : B <u>Formal Parameter List</u> {FP} XF120A01 DefVal = 00 (BYTE_0) <hex> {FP} XF120A02 DefVal = 00 (BYTE_1) <hex> {FP} XF120A03 DefVal = 00 (BYTE_2) <hex> {FP} XF120A04 DefVal = 00 (BYTE_0) <hex> {FP} XF120A05 DefVal = 00 (BYTE_1) <hex> {FP} XF120A06 DefVal = 00 (BYTE_2) <hex>		
1		Set Grid Voltage		
		Set EAS1 grid voltage		
	+00.00.00	Send SWA_TC_EAS1_GRID_CTRL_WRITE ZIA58781 SWA_TC_EAS1_GRID_CTRL_WRITE TC Control Flags: GBM IL DSE --Y NC --- Command Parameters : PIA60423 BYTE_0 = XF120A01 PIA60424 BYTE_1 = XF120A02 PIA60425 BYTE_2 = XF120A03		
		Set EAS2 grid voltage		
	+00.00.01	Send SWA_TC_EAS2_GRID_CTRL_WRITE ZIA58829 SWA_TC_EAS2_GRID_CTRL_WRITE TC Control Flags: GBM IL DSE --Y NC --- Command Parameters : PIA60423 BYTE_0 = XF120A04 PIA60424 BYTE_1 = XF120A05 PIA60425 BYTE_2 = XF120A06		
End of Sequence				
AIAF120A				
End of Procedure				