

SWA Disable FDIR
 File: IA-FCP-800.xls
 Author: daniel lakey



Procedure Summary

Objectives

Disable SWA FDIR

Summary of Constraints

n/a

Spacecraft Configuration

Start of Procedure

SWA FDIR Enabled

End of Procedure

SWA FDIR Disabled

Reference File(s)

Input Command Sequences

Output Command Sequences

AIAF800A

Referenced Displays

ANDs **GRDs** **SLDs**
 (None)

Configuration Control Information

DATE	FOP ISSUE	VERSION	MODIFICATION DESCRIPTION	AUTHOR	SPR REF
28/01/2019		1	First check-in	dlakey	M7
18/03/2019		1			M7
16/08/2019		2			M7
17/12/2019		2	SOL_FCR-60 : Update SWA procedures for CSW 3.0.3 & latest FSW	dlakey	M7
20/01/2020		3			M7

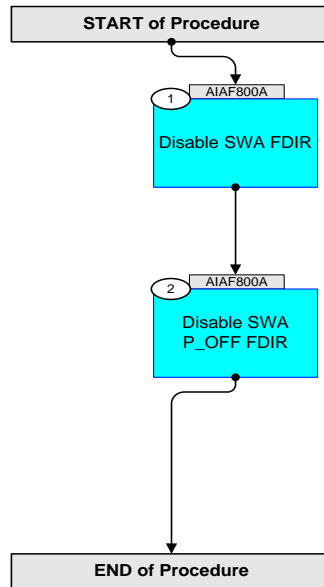
SWA Disable FDIR
File: IA-FCP-800.xls
Author: daniel lakey



solar orbiter



Procedure Flowchart Overview



SWA Disable FDIR File: IA-FCP-800.xls Author: daniel lakey	 
--	--

Step	Label/Time	Activity/Remarks/Branch	CK	Display
Beginning of Procedure				
Beginning of Sequence				
	AIAF800A	SWA Disable FDIR SeqFlags [Crit/Plan/Stdalone/Sched] : NNYN Forced Subschedule : SWA (109) TimeTag type : B		
1		Disable SWA FDIR Next step(s): -> 2		
		Confirm each FMON is Enabled and Protected		
	+00.00.01	Execute Telecommand ZCL08E0A Report Current FMON Status List TC Control Flags: GBM IL DSE --Y NC ---		
		Verify Packet Reception YCL08E0B Current Functional Monitoring Status List Report TM(142,11), APID 195 (12/3) PI1=0 PI2=0		
		FMON_SWA1		
		NCD8E093 OBCHP_S142_FMON ID = 21 <dec>		(None) PKT=YCL08E0B
		NCD8E094 OBCHP_S142_FMON protect = PROTECTED		(None) PKT=YCL08E0B
		NCD8E095 OBCHP_S142_FMON ID stat = ENABLED_RUN		(None) PKT=YCL08E0B
		FMON_SWA2		
		NCD8E093 OBCHP_S142_FMON ID = 22 <dec>		(None) PKT=YCL08E0B
		NCD8E094 OBCHP_S142_FMON protect = PROTECTED		(None) PKT=YCL08E0B
		NCD8E095 OBCHP_S142_FMON ID stat = ENABLED_RUN		(None) PKT=YCL08E0B

SWA Disable FDIR
 File: IA-FCP-800.xls
 Author: daniel lakey




Step	Label/Time	Activity/Remarks/Branch	CK	Display
		FMON_SWA3		
		NCD8E093 OBCHP_S142_FMON ID = 23 <dec>		(None) PKT=YCL08E0B
		NCD8E094 OBCHP_S142_FMON protect = PROTECTED		(None) PKT=YCL08E0B
		NCD8E095 OBCHP_S142_FMON ID stat = ENABLED_RUN		(None) PKT=YCL08E0B
		FMON_SWA4		
		NCD8E093 OBCHP_S142_FMON ID = 24 <dec>		(None) PKT=YCL08E0B
		NCD8E094 OBCHP_S142_FMON protect = PROTECTED		(None) PKT=YCL08E0B
		NCD8E095 OBCHP_S142_FMON ID stat = ENABLED_RUN		(None) PKT=YCL08E0B
		Confirm related SMON are Enabled		
	+00.00.01	Execute Telecommand ZCL00C08 Report Current Monitoring List TC Control Flags: GBM IL DSE --Y NC ---		
		Verify Packet Reception YCL00C09 Monitoring List Report TM(12,9), APID 195 (12/3) PI1=0 PI2=0		
		SMON_SWA1		
		NCD0C094 OBCHP_S12_Mon_ID = 21 <dec>		(None)
		NCD0C099 OBCHP_S12_Mon_Status = ENABLED		(None)
		SMON_SWA2		
		NCD0C094 OBCHP_S12_Mon_ID = 22 <dec>		(None)
		NCD0C099 OBCHP_S12_Mon_Status = ENABLED		(None)

SWA Disable FDIR File: IA-FCP-800.xls Author: daniel lakey	 
--	--

Step	Label/Time	Activity/Remarks/Branch	CK	Display
		SMON_SWA3		
		NCD0C094 OBCHP_S12_Mon_ID = 23 <dec>		(None)
		NCD0C099 OBCHP_S12_Mon_Status = ENABLED		(None)
		SMON_SWA4		
		NCD0C094 OBCHP_S12_Mon_ID = 24 <dec>		(None)
		NCD0C099 OBCHP_S12_Mon_Status = ENABLED		(None)
		SMON_SWA5		
		NCD0C094 OBCHP_S12_Mon_ID = 25 <dec>		(None)
		NCD0C099 OBCHP_S12_Mon_Status = ENABLED		(None)
		SMON_SWA6		
		NCD0C094 OBCHP_S12_Mon_ID = 26 <dec>		(None)
		NCD0C099 OBCHP_S12_Mon_Status = ENABLED		(None)
		SMON_SWA7		
		NCD0C094 OBCHP_S12_Mon_ID = 27 <dec>		(None)
		NCD0C099 OBCHP_S12_Mon_Status = ENABLED		(None)
		SMON_SWA8		
		NCD0C094 OBCHP_S12_Mon_ID = 28 <dec>		(None)
		NCD0C099 OBCHP_S12_Mon_Status = ENABLED		(None)
		SMON_SWA9		
		NCD0C094 OBCHP_S12_Mon_ID = 29 <dec>		(None)
		NCD0C099 OBCHP_S12_Mon_Status = ENABLED		(None)
		SMON_SWA10		
		NCD0C094 OBCHP_S12_Mon_ID = 30 <dec>		(None)
		NCD0C099 OBCHP_S12_Mon_Status = ENABLED		(None)

SWA Disable FDIR
 File: IA-FCP-800.xls
 Author: daniel lakey




Step	Label/Time	Activity/Remarks/Branch	CK	Display
		Unprotect FMON		
	+00.00.01	Execute Telecommand ZCL08E0D Unprotect Func Mon Parameters TC Control Flags: GBM IL DSE --Y NC --- Command Parameters : PCD8E061 Nb FMONs to process = 4 <dec> PCD8E012 FMON Id to process = 21 <dec> PCD8E012 FMON Id to process = 22 <dec> PCD8E012 FMON Id to process = 23 <dec> PCD8E012 FMON Id to process = 24 <dec>		
		Disable SMON		
	+00.00.01	Execute Telecommand ZCL00C02 Disable Monitoring of Parameters TC Control Flags: GBM IL DSE --Y NC --- Command Parameters : PCD0C011 Nb PMONs to process = 10 <dec> PCD0C012 PMON Id = 21 <dec> PCD0C012 PMON Id = 22 <dec> PCD0C012 PMON Id = 23 <dec> PCD0C012 PMON Id = 24 <dec> PCD0C012 PMON Id = 25 <dec> PCD0C012 PMON Id = 26 <dec> PCD0C012 PMON Id = 27 <dec> PCD0C012 PMON Id = 28 <dec>		
		PCD0C012 PMON Id = 29 <dec> PCD0C012 PMON Id = 30 <dec>		
		Disable FMON		
	+00.00.01	Execute Telecommand ZCL08E02 Disable Functional Monitoring TC Control Flags: GBM IL DSE --Y NC --- Command Parameters : PCD8E011 Nb FMONs to process = 4 <dec> PCD8E012 FMON Id to process = 21 <dec> PCD8E012 FMON Id to process = 22 <dec> PCD8E012 FMON Id to process = 23 <dec> PCD8E012 FMON Id to process = 24 <dec>		
		Protect FMON		

SWA Disable FDIR File: IA-FCP-800.xls Author: daniel lakey	 
--	--

Step	Label/Time	Activity/Remarks/Branch	CK	Display
	+00.00.01	Execute Telecommand ZCL08E0C Protect Func Mon Parameters TC Control Flags: GBM IL DSE --Y NC --- Command Parameters : PCD8E061 Nb FMONs to process = 4 <dec> PCD8E012 FMON Id to process = 21 <dec> PCD8E012 FMON Id to process = 22 <dec> PCD8E012 FMON Id to process = 23 <dec> PCD8E012 FMON Id to process = 24 <dec>		
		Confirm FMON is Disabled and Protected		
	+00.00.01	Execute Telecommand ZCL08E0A Report Current FMON Status List TC Control Flags: GBM IL DSE --Y NC ---		
		Verify Packet Reception YCL08E0B Current Functional Monitoring Status List Report TM(142,11), APID 195 (12/3) PI1=0 PI2=0		
		FMON_SWA1		
		NCD8E093 OBCHP_S142_FMON ID = 21 <dec>		(None) PKT=YCL08E0B
		NCD8E094 OBCHP_S142_FMON protect = PROTECTED		(None) PKT=YCL08E0B
		NCD8E095 OBCHP_S142_FMON ID stat = DIS_UNCHECK		(None) PKT=YCL08E0B
		FMON_SWA2		
		NCD8E093 OBCHP_S142_FMON ID = 22 <dec>		(None) PKT=YCL08E0B
		NCD8E094 OBCHP_S142_FMON protect = PROTECTED		(None) PKT=YCL08E0B
		NCD8E095 OBCHP_S142_FMON ID stat = DIS_UNCHECK		(None) PKT=YCL08E0B

SWA Disable FDIR
 File: IA-FCP-800.xls
 Author: daniel lakey




Step	Label/Time	Activity/Remarks/Branch	CK	Display
		FMON_SWA3		
		NCD8E093 OBCHP_S142_FMON ID = 23 <dec>		(None) PKT=YCL08E0B
		NCD8E094 OBCHP_S142_FMON protect = PROTECTED		(None) PKT=YCL08E0B
		NCD8E095 OBCHP_S142_FMON ID stat = DIS_UNCHECK		(None) PKT=YCL08E0B
		FMON_SWA4		
		NCD8E093 OBCHP_S142_FMON ID = 24 <dec>		(None) PKT=YCL08E0B
		NCD8E094 OBCHP_S142_FMON protect = PROTECTED		(None) PKT=YCL08E0B
		NCD8E095 OBCHP_S142_FMON ID stat = DIS_UNCHECK		(None) PKT=YCL08E0B
		Confirm related SMON are Disabled		
	+00.00.01	Execute Telecommand ZCL00C08 Report Current Monitoring List TC Control Flags: GBM IL DSE --Y NC ---		
		Verify Packet Reception YCL00C09 Monitoring List Report TM(12,9), APID 195 (12/3) PI1=0 PI2=0		
		SMON_SWA1		
		NCD0C094 OBCHP_S12_Mon_ID = 21 <dec>		(None)
		NCD0C099 OBCHP_S12_Mon_Status = DISABLED		(None)
		SMON_SWA2		
		NCD0C094 OBCHP_S12_Mon_ID = 22 <dec>		(None)
		NCD0C099 OBCHP_S12_Mon_Status = DISABLED		(None)

SWA Disable FDIR File: IA-FCP-800.xls Author: daniel lakey	 
--	--

Step	Label/Time	Activity/Remarks/Branch	CK	Display
		SMON_SWA3		
		NCD0C094 OBCHP_S12_Mon_ID = 23 <dec>		(None)
		NCD0C099 OBCHP_S12_Mon_Status = DISABLED		(None)
		SMON_SWA4		
		NCD0C094 OBCHP_S12_Mon_ID = 24 <dec>		(None)
		NCD0C099 OBCHP_S12_Mon_Status = DISABLED		(None)
		SMON_SWA5		
		NCD0C094 OBCHP_S12_Mon_ID = 25 <dec>		(None)
		NCD0C099 OBCHP_S12_Mon_Status = DISABLED		(None)
		SMON_SWA6		
		NCD0C094 OBCHP_S12_Mon_ID = 26 <dec>		(None)
		NCD0C099 OBCHP_S12_Mon_Status = DISABLED		(None)
		SMON_SWA7		
		NCD0C094 OBCHP_S12_Mon_ID = 27 <dec>		(None)
		NCD0C099 OBCHP_S12_Mon_Status = DISABLED		(None)
		SMON_SWA8		
		NCD0C094 OBCHP_S12_Mon_ID = 28 <dec>		(None)
		NCD0C099 OBCHP_S12_Mon_Status = DISABLED		(None)
		SMON_SWA9		
		NCD0C094 OBCHP_S12_Mon_ID = 29 <dec>		(None)
		NCD0C099 OBCHP_S12_Mon_Status = DISABLED		(None)
		SMON_SWA10		
		NCD0C094 OBCHP_S12_Mon_ID = 30 <dec>		(None)
		NCD0C099 OBCHP_S12_Mon_Status = DISABLED		(None)

SWA Disable FDIR File: IA-FCP-800.xls Author: daniel lakey	 
--	--

Step	Label/Time	Activity/Remarks/Branch	CK	Display
2		Disable SWA P_OFF FDIR Next step(s): -> END		
		Disable the P_OFF monitors ID SMON ----+----- 237 SWA_A_OFF S12 236 SWA_B_OFF S12		
	+00.00.01	Execute Telecommand ZCS00C02 Disable Monitoring of Parameters TC Control Flags: GBM IL DSE --Y NC --- Command Parameters : PCD0C011 Nb PMONs to process = 2 <dec> PCD0C012 PMON Id = 237 <dec> PCD0C012 PMON Id = 236 <dec>		
	+00.00.01	Execute Telecommand ZCS00C08 Report Current Monitoring List TC Control Flags: GBM IL DSE --Y NC ---		
		Verify Packet Reception YCS00C09 Monitoring List Report TM(12,9), APID 227 (14/3) PI1=0 PI2=0		
		NCD0C094 OBCHP_S12_Mon_ID = 237 <dec>		(None)
		NCD0C099 OBCHP_S12_Mon_Status = DISABLED		(None)
		NCD0C094 OBCHP_S12_Mon_ID = 236 <dec>		(None)
		NCD0C099 OBCHP_S12_Mon_Status = DISABLED		(None)
AIAF800A		End of Sequence		
End of Procedure				