

SWA Enable/Disable S6 Dump Packets to OMM  
 File: IA-FCP-831.xls  
 Author: daniel lakey




**Procedure Summary**

**Objectives**

Enable/Disable storage of S6 in the OMM

**Summary of Constraints**

**Spacecraft Configuration**

Start of Procedure

End of Procedure

**Reference File(s)**

**Input Command Sequences**

ADMF142B  
 ADMF143B

**Output Command Sequences**

AIAF831A  
 AIAF831B

**Referenced Displays**

ANDs      GRDs      SLDs

**Configuration Control Information**

DATE	FOP ISSUE	VERSION	MODIFICATION DESCRIPTION	AUTHOR	SPR REF
01/08/2019		1	Initial check-in	dlakey	M7
16/08/2019		2			M7
20/01/2020		3			M7
06/04/2020		2	SOL_FCR-340 - Refresh SWA & SoloHI I*-FCP-831	dlakey	M7

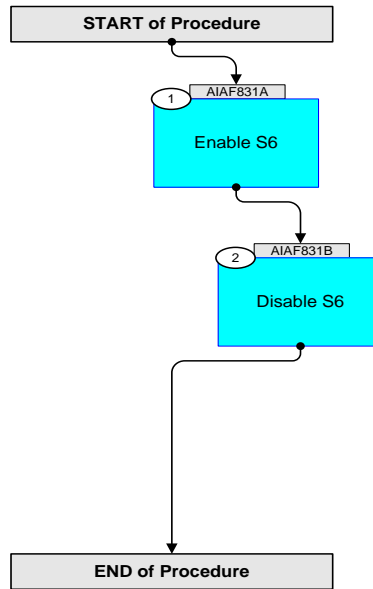
SWA Enable/Disable S6 Dump Packets to OMM  
File: IA-FCP-831.xls  
Author: daniel lakey



solar orbiter



### Procedure Flowchart Overview



SWA Enable/Disable S6 Dump Packets to OMM  
 File: IA-FCP-831.xls  
 Author: daniel lakey




Step	Label/Time	Activity/Remarks/Branch	CK	Display
<b>Beginning of Procedure</b>				
Beginning of Sequence				
<b>AIAF831A</b>		<b>SWA Enab S6 OMM</b>  TimeTag type : B		
1		<b>Enable S6</b>  <i>Next step(s):</i> -> 2		
	ET=+00.00.00 UT=+00.00.00	<b>Execute Sequence</b> <b>ADMF142B Pkts to PSby PID&amp;Typ v05</b> Sequence Grouping = - Sequence Parameter(s): <b>XF142B01</b> Packet Store Identifier = <b>PS_DUMP</b> <b>XF142B02</b> Process ID = <b>SWA_4</b> <b>XF142B03</b> PUS type = <b>6 &lt;dec&gt;</b>  Subsch ID : DMS (1)		
<b>AIAF831A</b>		End of Sequence		
Beginning of Sequence				
<b>AIAF831B</b>		<b>SWA Disab S6 OMM</b>  TimeTag type : B		
2		<b>Disable S6</b>  <i>Next step(s):</i> -> END		
	ET=+00.00.00 UT=+00.00.00	<b>Execute Sequence</b> <b>ADMF143B RemovPkts by PID&amp;Typ v05</b> Sequence Grouping = - Sequence Parameter(s): <b>XF143B01</b> Packet Store Identifier = <b>PS_DUMP</b> <b>XF143B02</b> Process ID = <b>SWA_4</b> <b>XF143B03</b> PUS type = <b>6 &lt;dec&gt;</b>  Subsch ID : DMS (1)		
<b>AIAF831B</b>		End of Sequence		
<b>End of Procedure</b>				